



Doc No.	235DOC-0166
---------	-------------

EU Declaration of Conformity

Identification of the Product : KW series RFID smart reader

Name and address of Manufacturer
IDEC CORPORATION
2-6-64 Nishimiyahara, Yodogawa-Ku,
Osaka 532-0004 Japan

Name and address of the authorized representative :
APEM SAS
55, Avenue Edouard Herriot BP1, 82303
Caussade Cedex, France

This declaration of conformity is issued under the sole responsibility of the manufacturer.

Object of the declaration : Series Name: KW2D series

Model No.: KW2D-R100Q4E, KW2D-RH100Q4E

The object of the declaration described above is in conformity with the relevant EU harmonization legislation :

2014/30/EU

Electromagnetic Compatibility Directive

2014/53/EU

Radio Equipment Directive

2011/65/EU and (EU)2015/863

Restriction of the use of certain hazardous substances
(RoHS) Directive

Applied Union harmonized legislation and references to the relevant harmonization standards used or references the other technical specifications in relation to which conformity is declared.

EN 301 489-1 V2.2.3

EN 301 489-3 V2.1.1

EN 61131-2:2007

EN 300 330 V2.1.1

EN 50364:2018

EN 50581:2012

Where applicable, the notified body

Additional Information :

Signed for and on behalf of the above named manufacturer :

Place and date of issue :

Japan, 31th-August, 2020

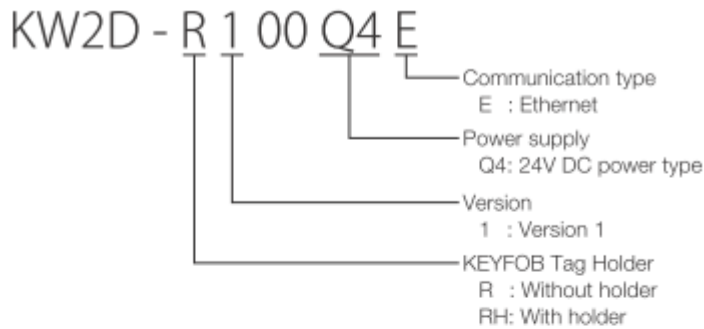
Name, function :

Masaki Tsuru, Executive Officer,
Quality Assurance Center

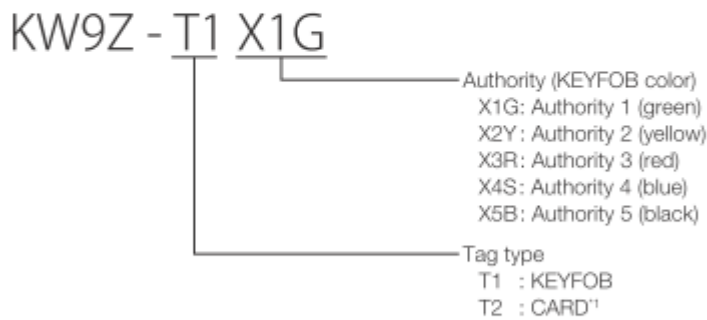
Signature :

Nomenclature

• **KW2D Series RFID Reader**



• **KW2D Special Tag**



*1 The authority for the CARD type is *T2X0: Authority 10* only.

• **Cover**

