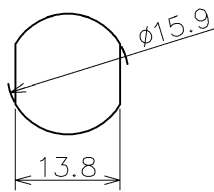
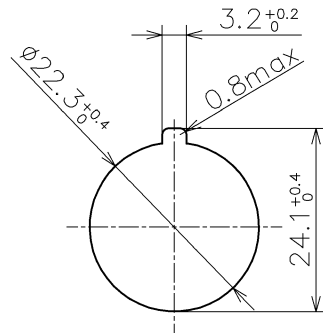


Bezel Style (Δ)	: Round/black (1), Round/metallic (4)
Operating Voltage (☆)	: 6V AC/DC (2), 12V AC/DC (3), 24V AC/DC (4)
	: 100/120V AC (H),
	: 200/220V AC (M), 230/240V AC (M4)
Illumination Color (※)	: Red (R), Green (G), Amber (A), Yellow (Y),
	: Blue (S), Pure White (PW)

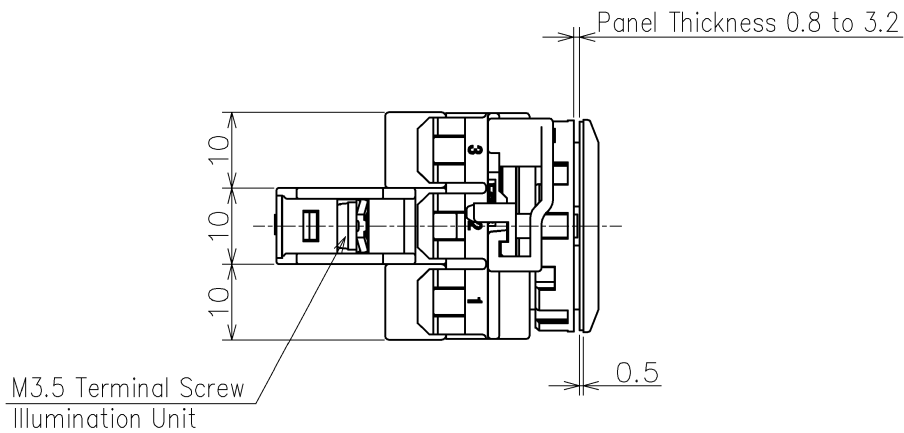


Thickness : 0.2 mm maximum
 Film material : Polyester (recommended)
 Note : Film is not supplied and must be prepared by the user.

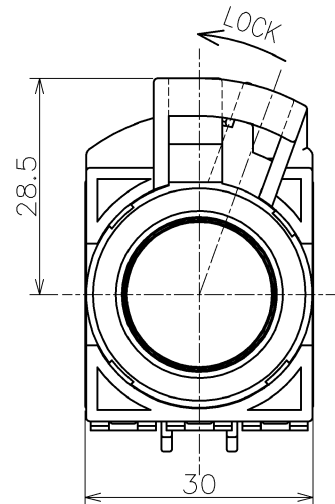
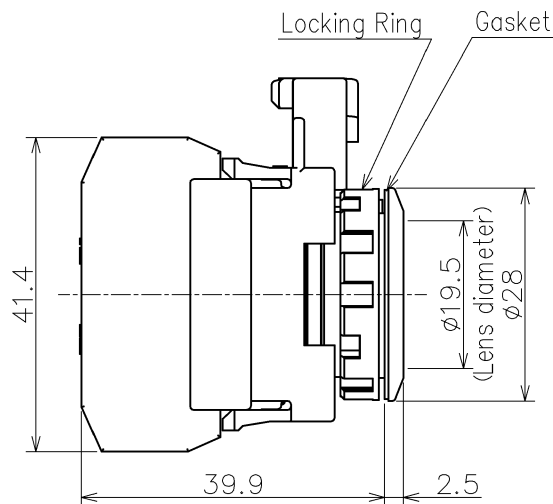
Applicable Marking Film Size



Panel Cut-Out



M3.5 Terminal Screw
 Illumination Unit



				Product Name: CW SERIES PILOT LIGHTS	
				Type Number: CWΔP-1EQ☆※	
Approved by	S.TAKAHASHI	Apr.26 ,2016	Dim.:	m m	Outside View
Checked by	H.OKAMURA	Apr.26 ,2016	Drawing No. MA4-A04900		
Drawn by	K.TATEISHI	Apr.26 ,2016			