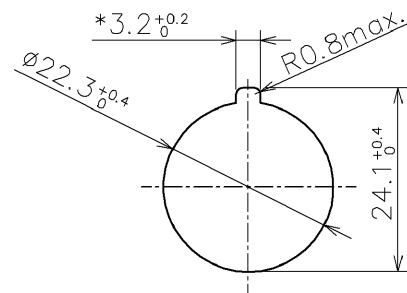


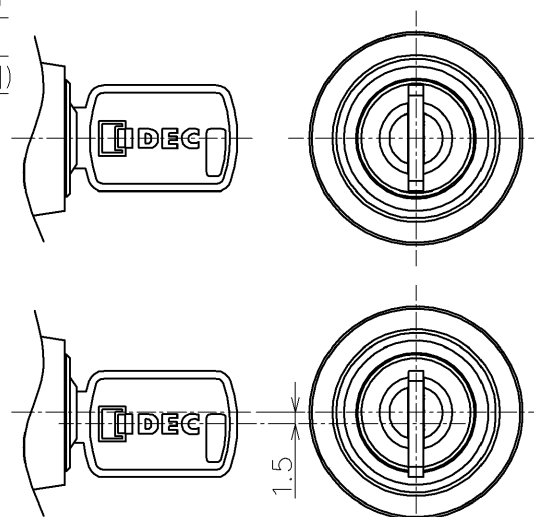
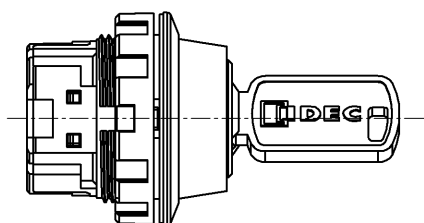
Bezel color (◇) : Black (1) ,Metallic (4)
 Operator position code (Δ) : 2-position, maintained (2) ,
 2-position, spring return from right (21)
 3-position, maintained (3)
 3-position, spring return from right (31)
 3-position, spring return from left (32)
 3-position, spring return two way (33)

Key removal position code (▽) :
 90° -2-position : Key removable in all positions(A)
 Key removable at left (B) ,Key removable at right (C)
 45° -3-position : Key removable in all positions(A)
 Key removable at left / center (B) ,Key removable at center / right (C)
 Key removable at center (D) ,Key removable at right / left (E)
 Key removable at left (G) ,Key removable at right (H)
 Key number code (*) : Standard key (0H)(Blank)
 Reversible key (1H to 2H) , Non-reversible key (3H to 6H)



Panel Cut-Out

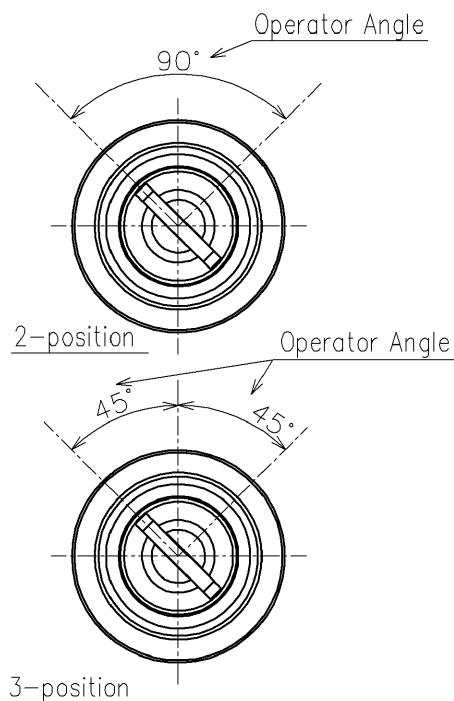
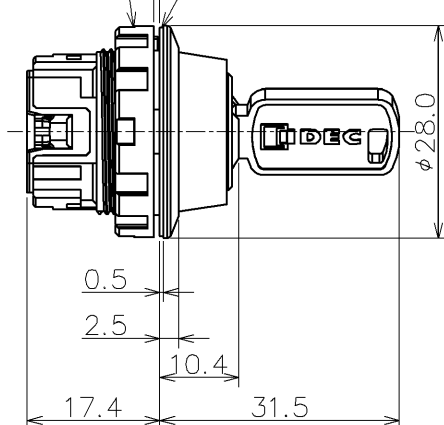
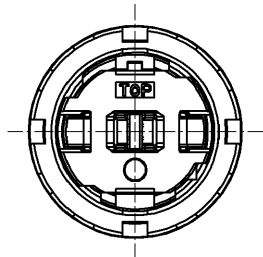
*The 3.2^{+0.2} recess is not necessary when neither nameplate nor anti-rotation ring is used.



Panel Thickness 0.8 to 3.2

Locking Ring

Gasket



				Product Name: CW SERIES KEY SELECTOR SWITCHES
				Type Number: CW◇K-△▽*-PS
Approved by	T.IWAMI	AUG.4,2021	Dim.: mm	Outside View
Checked by	T.IWAMI	AUG.4,2021	Drawing No.	
Drawn by	T.MATSUMOTO	AUG.4,2021	MA4-A05905	