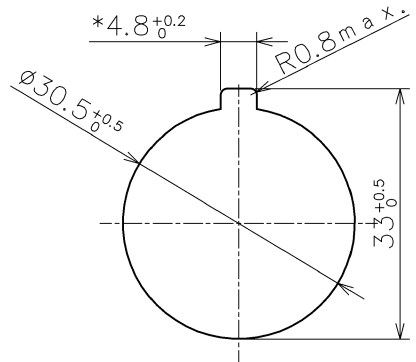
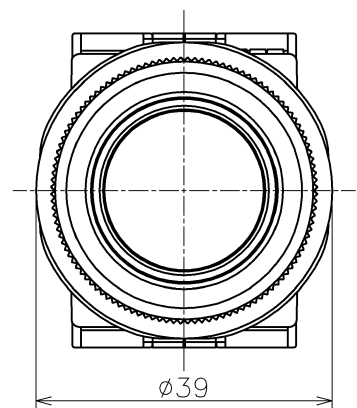
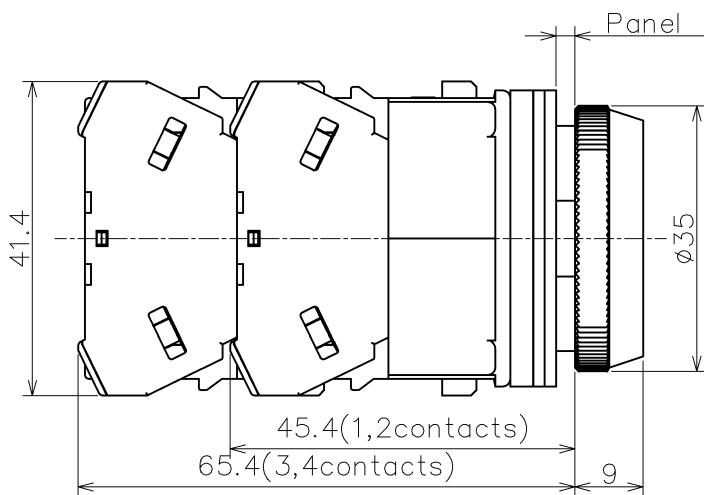
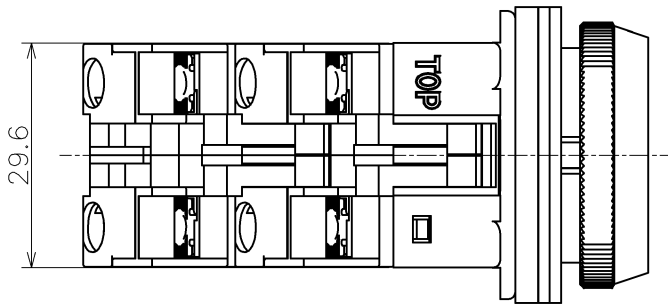


□□ (Contact arrangement) : 1 a (10) , 1 b (01) , 1 a-1 b (11) ,
 2 a (20) , 2 b (02) , 3 a (30) , 3 b (03) ,
 2 a-1 b (21) , 1 a-2 b (12) ,
 2 a-2 b (22) , 4 a (40) , 4 b (04) ,
 3 a-1 b (31) , 1 a-3 b (13)
 * (Button color) : Black (B) , Green (G) , Red (R) , Yellow (Y) , Blue (S) , White (W)
 Terminal style : M3.5 terminal screw



PANEL CUT-OUT

*THE 4.8^{+0.2} RECESS IS NOT NECESSARY WHEN NEITHER NAMEPLATE NOR ANTI-ROTATION RING IS USED.



			Product Name: TWN SERIES PUSHBUTTON SWITCHES	
			Type Number: ABN1/AON1□□*	
Approved by	S.TAKAHASHI	JAN.31,2017	Dim.: mm	Outside View
Checked by	H.OKAMURA	JAN.31,2017	Drawing No. MA4-A05067	
Drawn by	T.MATSUMOTO	JAN.31,2017		